



Network Camera

Quick Guide

DC-Y1513

DC-Y1513W

DC-Y1514

DC-Y1514W

Powered by **Direct IP™**

Safety Precautions

WARNING

RISK OF ELECTRIC SHOCK
DO NOT OPEN

WARNING: TO REDUCE THE RISK OF ELECTRIC SHOCK,
DO NOT REMOVE COVER (OR BACK). NO USER-SERVICEABLE PARTS INSIDE.
REFER SERVICING TO QUALIFIED SERVICE PERSONNEL.

Important Safeguards

1. Read Instructions

All the safety and operating instructions should be read before the appliance is operated.

2. Retain Instructions

The safety and operating instructions should be retained for future reference.

3. Cleaning

Unplug this equipment from the wall outlet before cleaning it. Do not use liquid aerosol cleaners. Use a damp soft cloth for cleaning.

4. Attachments

Never add any attachments and/or equipment without the approval of the manufacturer as such additions may result in the risk of fire, electric shock or other personal injury.

5. Water and/or Moisture

Do not use this equipment near water or in contact with water.

6. Placing and Accessories

Do not place this equipment on a wall or ceiling that is not strong enough to sustain the camera. The equipment may fall, causing serious injury to a child or adult, and serious damage to the equipment. Wall or shelf mounting should follow the manufacturer's instructions, and should use a mounting kit approved by the manufacturer.



This equipment and cart combination should be moved with care. Quick stops, excessive force, and uneven surfaces may cause the equipment and cart combination to overturn.

Do not place this equipment in an enclosed space. Sufficient ventilation is required to prevent an increase in ambient temperature which can cause malfunction or the risk of fire.

7. Power Sources

This equipment should be operated only from the type of power source indicated on the marking label. If you are not sure of the type of power, please consult your equipment dealer or local power company.

You may want to install a UPS (Uninterruptible Power Supply) system for safe operation in order to prevent damage caused by an unexpected power stoppage. Any questions concerning UPS, consult your UPS retailer.

This equipment should be remain readily operable.

8. Power Cord

Operator or installer must remove power and TNT connections before handling the equipment.

9. Lightning

For added protection for this equipment during a lightning storm, or when it is left unattended and unused for long periods of time, unplug it from the wall outlet and disconnect the antenna or cable system. This will prevent damage to the equipment due to lightning and power-line surges. If thunder or lightning is common where the equipment is installed, use a surge protection device.

10. Overloading

Do not overload wall outlets and extension cords as this can result in the risk of fire or electric shock.

11. Objects and Liquids

Never push objects of any kind through openings of this equipment as they may touch dangerous voltage points or short out parts that could result in a fire or electric shock. Never spill liquid of any kind on the equipment.

12. Servicing

Do not attempt to service this equipment yourself. Refer all servicing to qualified service personnel.

13. Damage requiring Service

Unplug this equipment from the wall outlet and refer servicing to qualified service personnel under the following conditions:

- When the power-supply cord or the plug has been damaged.
- If liquid is spilled, or objects have hit the equipment.
- If the equipment has been exposed to rain or water.
- If the equipment does not operate normally by following the operating instructions, adjust only those controls that are covered by the operating instructions as an improper adjustment of other controls may result in damage and will often require extensive work by a qualified technician to restore the equipment to its normal operation.
- If the equipment has been dropped, or the cabinet damaged.
- When the equipment exhibits a distinct change in performance — this indicates a need for service.

14. Replacement Parts

When replacement parts are required, be sure the service technician has used replacement parts specified by the manufacturer or that have the same characteristics as the original part. Unauthorized substitutions may result in fire, electric shock or other hazards.

15. Safety Check

Upon completion of any service or repairs to this equipment, ask the service technician to perform safety checks to determine that the equipment is in proper operating condition.

16. Field Installation

This installation should be made by a qualified service person and should conform to all local codes.

17. Correct Batteries

Warning: Risk of explosion if battery is replaced by an incorrect type. Replace only with the same or equivalent type. Dispose of used batteries according to the instructions. The battery shall not be exposed to excessive heat such as sunshine, fire or the like.

18. Tmra

A manufacturer's maximum recommended ambient temperature (Tmra) for the equipment must be specified so that the customer and installer may determine a suitable maximum operating environment for the equipment.

FCC Compliance Statement

THIS EQUIPMENT HAS BEEN TESTED AND FOUND TO COMPLY WITH THE LIMITS FOR A CLASS A DIGITAL DEVICE, PURSUANT TO PART 15 OF THE FCC RULES. THESE LIMITS ARE DESIGNED TO PROVIDE REASONABLE PROTECTION AGAINST HARMFUL INTERFERENCE WHEN THE EQUIPMENT IS OPERATED IN A COMMERCIAL ENVIRONMENT. THIS EQUIPMENT GENERATES, USES, AND CAN RADIATE RADIO FREQUENCY ENERGY AND IF NOT INSTALLED AND USED IN ACCORDANCE WITH THE INSTRUCTION MANUAL, MAY CAUSE HARMFUL INTERFERENCE TO RADIO COMMUNICATIONS. OPERATION OF THIS EQUIPMENT IN A RESIDENTIAL AREA IS LIKELY TO CAUSE HARMFUL INTERFERENCE, IN WHICH CASE USERS WILL BE REQUIRED TO CORRECT THE INTERFERENCE AT THEIR OWN EXPENSE.

WARNING: CHANGES OR MODIFICATIONS NOT EXPRESSLY APPROVED BY THE PARTY RESPONSIBLE FOR COMPLIANCE COULD VOID THE USER'S AUTHORITY TO OPERATE THE EQUIPMENT. THIS CLASS OF DIGITAL APPARATUS MEETS ALL REQUIREMENTS OF THE CANADIAN INTERFERENCE CAUSING EQUIPMENT REGULATIONS.

WEEE (Waste Electrical & Electronic Equipment)

Correct Disposal of This Product
(Applicable in the European Union and other European countries with separate collection systems)



This marking shown on the product or its literature, indicates that it should not be disposed with other household wastes at the end of its working life. To prevent possible harm to the environment or human health from uncontrolled waste disposal, please separate this from other types of wastes and recycle it responsibly to promote the sustainable reuse of material resources.

Household users should contact either the retailer where they purchased this product, or their local government office, for details of where and how they can take this item for environmentally safe recycling.

Business users should contact their supplier and check the terms and conditions of the purchase contract. This product should not be mixed with other commercial wastes for disposal.

Safety Symbols

Symbol	Publication	Description
	IEC60417, No.5031	Direct current

Copyright

© 2016 IDIS Co., Ltd.

IDIS Co., Ltd. reserves all rights concerning this document.

Use or duplication of this document in part or whole without the prior consent of IDIS Co., Ltd. is strictly prohibited.

Contents of this document are subject to change without prior notice for reasons such as functionality enhancements.

Registered Trademarks

IDIS is a registered trademark of IDIS Co., Ltd.

Other company and product names are registered trademarks of their respective owners.

This product contains software built partially on open-source content. Codes for the corresponding open-source content are available for download. For more information, refer to the software CD (OpenSourceGuide\OpenSourceGuide.pdf) or the open source guide accompanying this document.

Accessories

Upon purchasing the product, check inside the box to make sure all the following accessories are included. Some parts may differ depending on the situation.

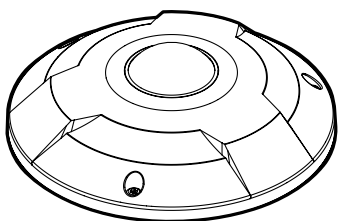
Item
Network Camera
Open Source Guide
Quick Guide
Guide Pattern
Allen Wrench
Screws (3 ea.)
Insulator, Bushings
Desiccant (DC-Y1513W / DC-Y1514W model only)

Overview



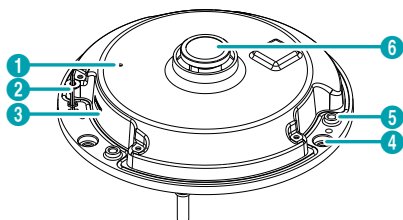
- Product color and design may vary depending on the model.
- For more details on each part name, refer to the manual.

Top Cover

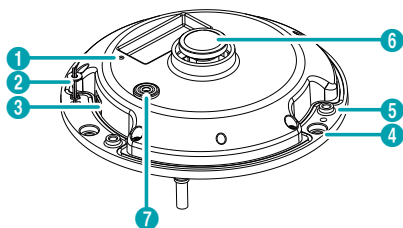


Body

DC-Y1513 / DC-Y1513W

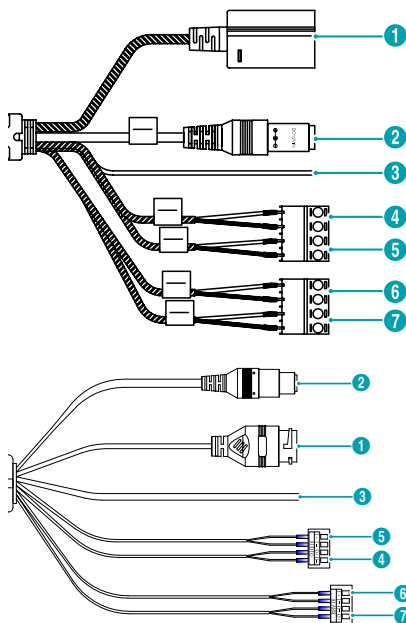


DC-Y1514 / DC-Y1514W



1	Factory Reset Button
2	Safety wire
3	SD Memory Card Slot
4	Wall/Ceiling Installation Hole
5	Top Cover Screw Hole
6	Lens
7	Built-in Microphone

I/O Device Port



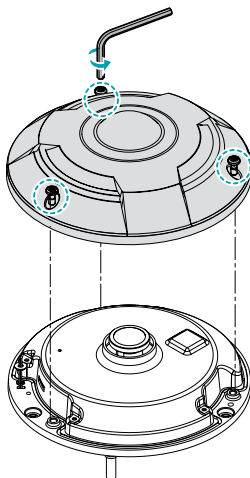
1	Network Port
2	Power Connector
3	FGND (Frame Ground)
4	Audio Out
5	Audio In
6	Alarm In
7	Alarm out

Camera Installation

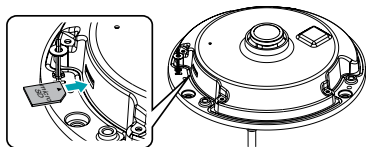
Inserting a SD Memory Card

- 1 Loosen the screws counterclockwise using the allen wrench provided with the product.

- ✓ Do not remove the screws from the top cover, otherwise, they may hurt you when they fall off.
- Do not remove the safety wire from the top cover and camera body. It prevents the top cover from falling on to the floor when detached from the camera.



- 2 Remove the top cover.
- 3 Insert a SD memory card into the SD memory card slot with the 'micro SD' print facing upward.



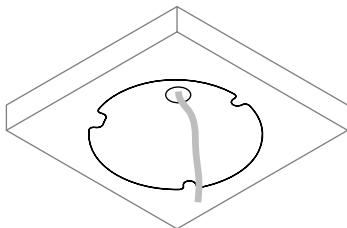
- ✓ Push the SD memory card until it disengages from the slot, and then pull it out.
- microSD Logo is a trademark of SD-3C, LLC. 

Installation

- ⚠ Check the wall or ceiling to see if it needs to be reinforced. The camera may fall off if the wall or ceiling is not strong enough to support its weight.
- Do not touch the surface of the lens. You must be extra careful when installing the *DC-Y1513* / *DC-Y1514* model because its lens protrudes.
- Install the camera in a shaded area. If the camera is installed in direct sunlight, it may affect adversely.

- ✓ Use the provided guide pattern to check the distance between the screw holes if necessary.

- 1 Remove the white paper of the provided insulator and attach it to the wall or ceiling. This may reduce noise which could occur when the camera is installed on a metallic surface.

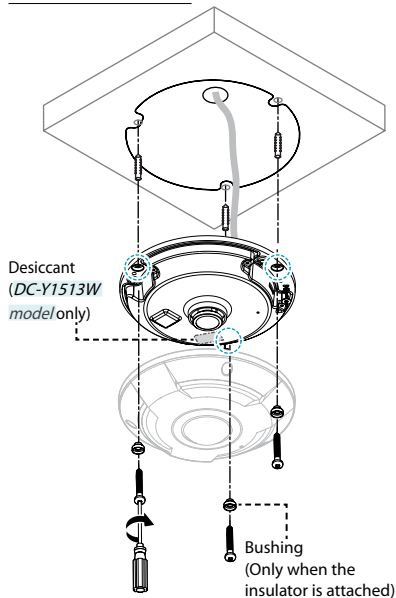


- 2 After you insert the SD memory card in the camera, secure the body on a wall or ceiling using the screws, bushings, and anchors that came with the camera.

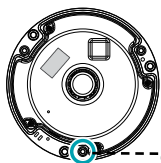
- ⚠ Do NOT use the bushings if you did not attach the insulator to the wall or ceiling.



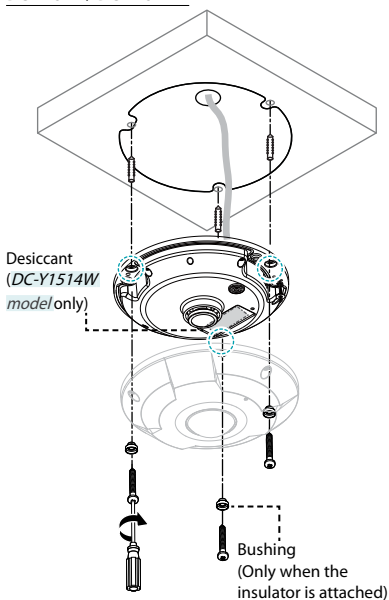
- Make it sure that a safety wire is connected to the top cover and camera body. It prevents the top cover from falling on to the floor when detached from the camera.
- Attach the enclosed desiccant in the body to prevent moisture. (*DC-Y1513W/DC-Y1514W* model only)
- After securing the body, remove the peel off film from the lens. (*DC-Y1513/DC-Y1514* model only).

DC-Y1513 / DC-Y1513W

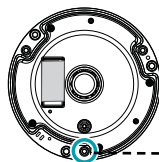
If you install the camera on a wall, check the direction of the camera body to prevent image from being turned upside down.



It should be placed downward.

DC-Y1514 / DC-Y1514W

If you install the camera on a wall, check the direction of the camera body to prevent image from being turned upside down.

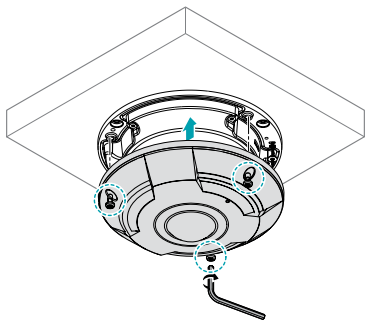


It should be placed downward.

- 3 Connect external devices, the network cable, and the power adapter.
- 4 Secure the top cover to the body by turning the screws clockwise with the Allen wrench.



- After securing the top cover, remove the peel off film from the dome port. (*DC-Y1513W/DC-Y1514W* model only).



Specifications

Vandal Resistance	Yes *	
Out-door Ready	IP66 *	
Operating Temperature	-10°C ~ +50°C (+14°F ~ +122°F)	
Boot Up Temperature	0°C ~ +50°C (+32°F ~ +122°F)	
Operating Humidity	0% ~ 90%	
Power Source	12VDC, PoE(IEEE 802.3af, Class 3)	
Power Consumption	Max. 7.56 W	
Approval	FCC, CE	
External Dimensions (Ø x H)	DC-Y1513W	155 mm x 48.3 mm (6.10" x 1.90")
	DC-Y1513	155 mm x 43 mm (6.10" x 1.69")
	DC-Y1514W	155 mm x 48.3 mm (6.10" x 1.90")
	DC-Y1514	155 mm x 42.8 mm (6.10" x 1.68")
Weight (Main Unit)	DC-Y1513W	0.59 kg (1.31 lb)
	DC-Y1513	0.58 kg (1.28 lb)
	DC-Y1514W	0.55 kg (1.21 lb)
	DC-Y1514	0.54 kg (1.19 lb)

* Applies to *DC-Y1513W/DC-Y1514W* model only.

- **DirectIP NVR makes it easy to use cameras without extra network configurations. Each camera can be controlled via the DirectIP™ NVR setup menu, without any PC.**
 - For detailed camera settings, please see the camera setting pages of DirectIP™ NVR manual.
- **To use your camera with non-DirectIP system (e.g. other NVR or VMS), refer to the camera manual and it can be downloaded from our website: www.idisglobal.com.**

Memo

English



IDIS Co., Ltd.

For more information, please visit
www.idisglobal.com